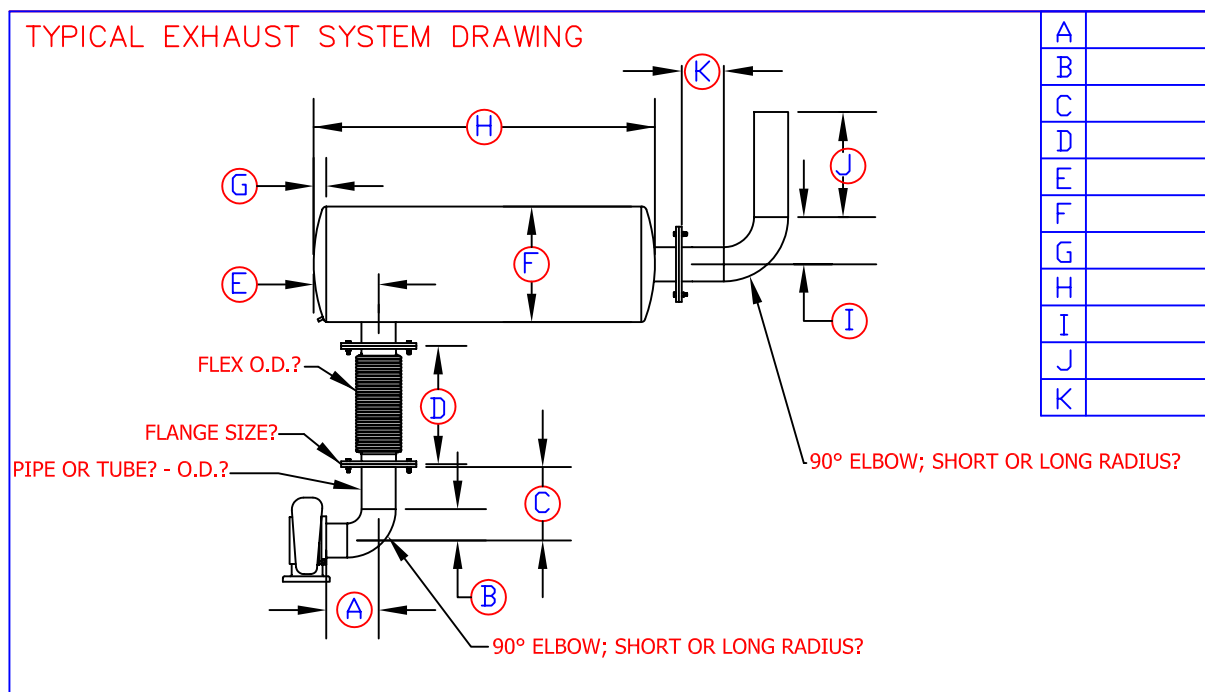


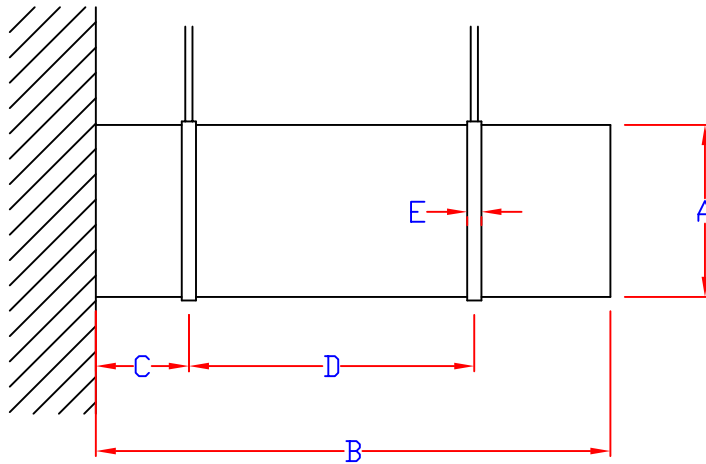
OBTAINING A QUOTE FROM FIRWIN ON EXHAUST INSULATION SYSTEMS

In order to obtain a quote for insulation blankets on an exhaust system, the following steps should be followed where ever possible. At any stage, if there are any questions, please do not hesitate to call Firwin.

1. Make a sketch of the exhaust system indicating the required dimensions. A sketch in CAD is best, but hand sketches are also suitable. A sample sketch is shown below. See the following pages that indicate exactly which dimensions Firwin requires for piping, flexes, flanges, elbows, and silencers. For all other items, contact us.
2. If insulation is required on the engine components (eg. manifold, turbo, etc.) make note of the engine make and model. We probably have blanket templates and information on that engine in our extensive engine library. If we do not have enough information on that specific engine, arrangements will be made.
3. Where ever possible, digital photographs of the entire system are most helpful.
4. Send us the information by fax or e-mail. We try and reply to standard quote requests within 24 hours.

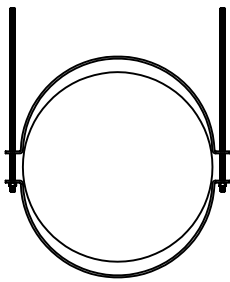


REQUIRED INFORMATION FOR STRAIGHT PIPE AND PIPE BRACKETS

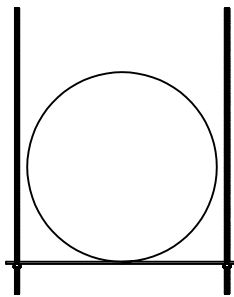


A	
B	
C	
D	
E	

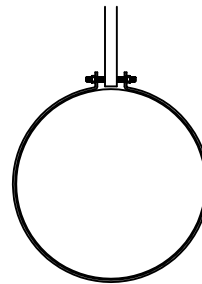
INDICATE BRACKET TYPE WHERE RELEVANT



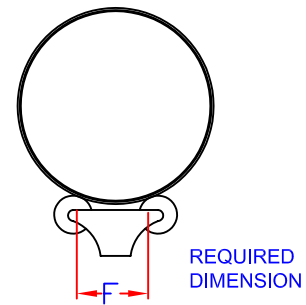
EXAMPLE 1



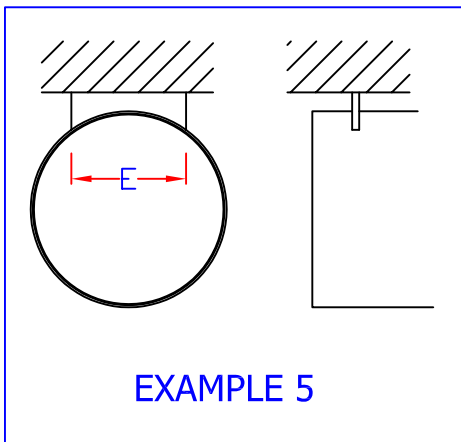
EXAMPLE 2



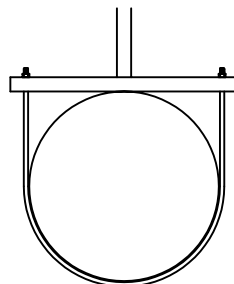
EXAMPLE 3



EXAMPLE 4



EXAMPLE 5



EXAMPLE 6

REQUIRED INFORMATION FOR FLEXES, FLANGES, AND ELBOWS

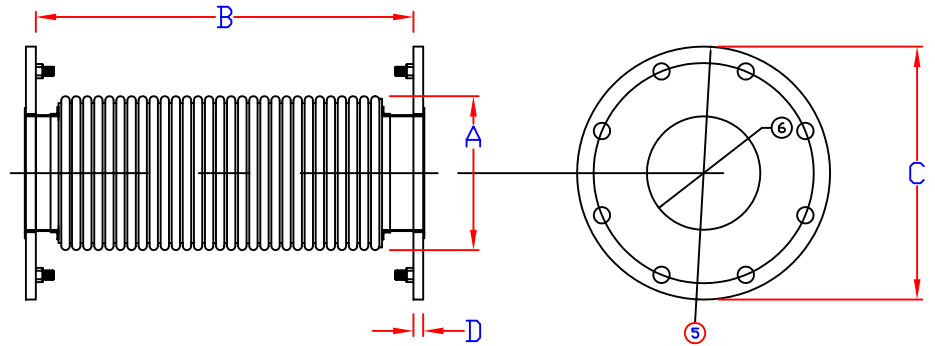
FLEX AND FLANGES

FLEXES

A	OD	
B	LENGTH	

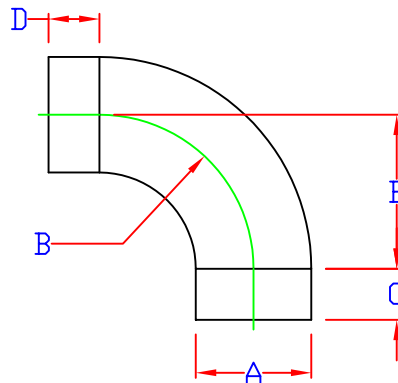
FLANGES

C	OD	
D	Flange Width	



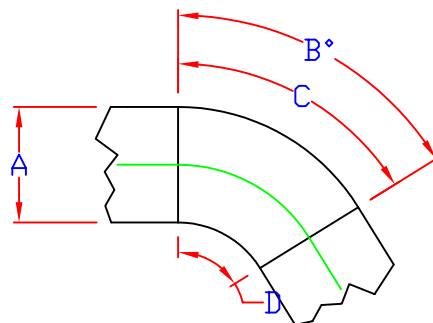
90° ELBOWS

A	OD	
B	Radius Length	
C	Extension 1	
D	Extension 2	

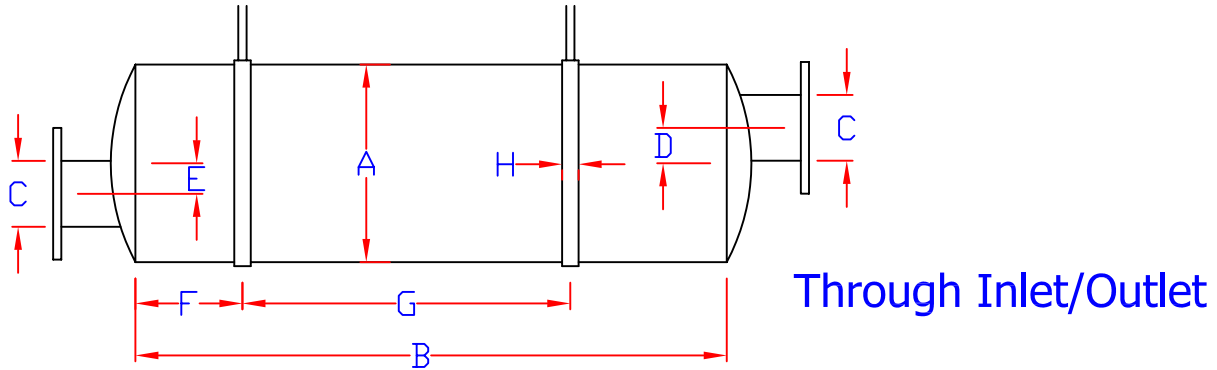


MISCILANEOUS ELBOWS

A	OD	
B	Angle (if known)	
C	Outer Arc Length	
D	Inner Arc Length	



REQUIRED SILENCER INFORMATION



ALL SILENCER VERSIONS

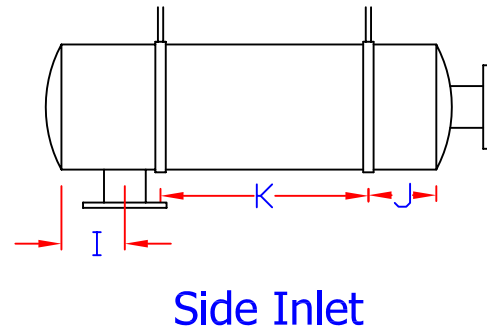
A	∅	
B	Weld to weld length	
C	Inlet/outlet OD	
D	Outlet offset (0 if N/A)	

THRU INLET/OUTLET VERSION ONLY

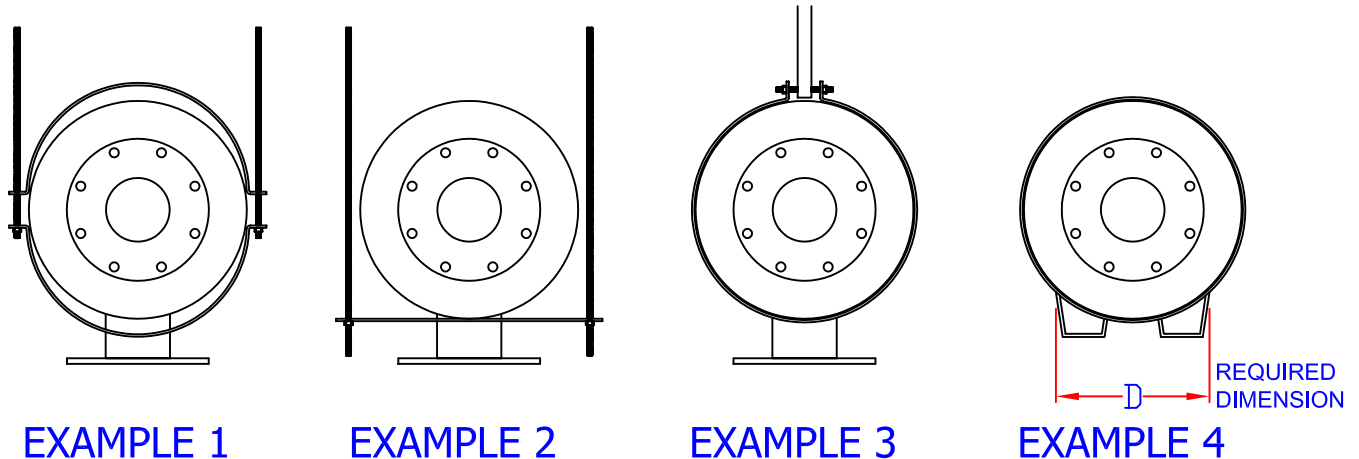
E	Inlet offset (0 if N/A)	
F	Support 1 Offset (if applicable)	
G	Support 2 Offset (if applicable)	
H	Support Width	

SIDE INLET VERSION ONLY

I	Inlet offset	
J	Support 1 Offset (if applicable)	
K	Support 2 Offset (if applicable)	



TYPICAL SILENCER HANGER/SUPPORT DRAWING



Please indicate the relevant support system.