

Insulation Insights

Firwin FAQ – What is a ‘Donut’ flange cover, and how do they differ from standard flange covers?

When it comes to covering flanges, Firwin offers two basic options: Our ‘standard’ flange covers, and what we call a ‘donut’ flange cover.

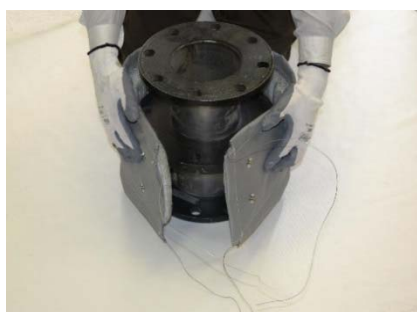
Firwin ‘Standard’ Flange Covers:

Firwin standard flange covers are typically 1 piece insulation blankets designed to wrap around a flange by the use of draw strings. The draw strings allow the insulation blanket to compress at the edges and be pulled tight, wrapping around the flange it was designed to cover.



The advantage of this design is that it allows for more ‘flexibility’ when installing, should the flange size vary somewhat from the assumed dimensions, or when there is adjacent existing insulation, which restricts the amount of exposed pipe around which the flange cover is being installed.

The disadvantage of the standard flange design is that installing can be a little tricky and sometimes less than obvious to someone who is unfamiliar with insulation blanket installation.



Installing Standard Firwin Flange Cover

This can also lead to the flange cover looking a bit uneven and not so aesthetically pleasing.



Standard Flange Cover Installed on Engine Exhaust.

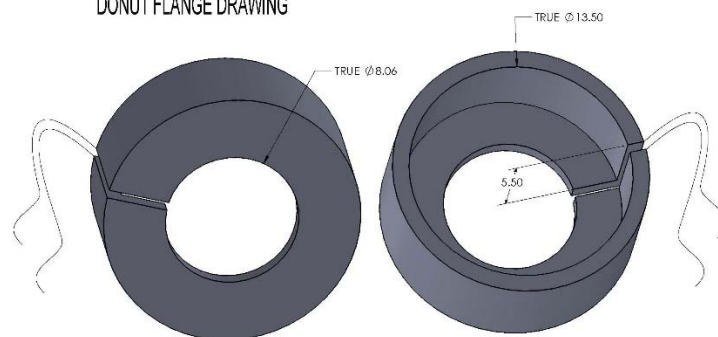
'Donut' Flange Covers:

Donut flange covers are composed of 3 parts: the main body cover, and 2 end pieces. The advantages of this style of flange cover is that is typically easier to install than the standard 1 piece flange covers, and the end result is a 'smoother' look when compared to the standard flange covers.



Firwin Corp., 1685 Flint Road, North York, ON M3J 2W8 Canada
Tel: 416.745.9389 • Fax: 416.745.0782 • www.firwin.com

DONUT FLANGE DRAWING



On the other hand, donut flanges typically involve more material and design engineering than standard flange covers, and thus are more expensive.



Donut Flange Cover

“Both our standard flange covers and our donut flange covers are equally effective when it comes to insulating flanges”, notes Brett Herman, Firwin’s vice president of sales and customer service. “The main difference is in aesthetics, and to a certain extent ease of installation. Although there is a price premium for the donut styled flange covers, some customers do feel the need to portray a certain ‘look’ to their blankets that justifies the added cost of the donut flanges.”

Other Articles: [Sound and Insulation](#) ·